

Installation guide for Excalibur V1

Saab 9-5, year 1998 - 2009

Saab 9-3, year 1998 - 2003

Tools needed:

- Flat pliers
- Flashlight

The vehicle must be parked in a safe place, engine stopped and keys removed. Radio must be off!

The pictures in this installation manual shows installation in 9-5. The principles and cable color coding is identical in 9-3. Please read the manual before you start and feel free to consult your dealer if necessary.

Step 1: Remove the storage compartment below the ACC-unit by pushing the storage compartment up from below, see the pictures below.



Step 2: Now you can access the ACC-unit from behind. Push out the ACC-unit from behind, see the pictures below.



Step 3: In the connector of the ACC unit you are now going to identify 2 cables. These cables are green and white, and are twisted together. This is the CAN-bus. When you have found these cables, carefully examine for similar cables that may be mistaken for being the CAN-bus. On each of these green and white cables attach the red terminals which are delivered with the package. Open the terminal, insert the cable and secure with your flat pliers. On these two terminals you connect two cables for the Excalibur unit; green together with green cable, and white together with white cable.

Be carefully not to damage any cables or insulation!



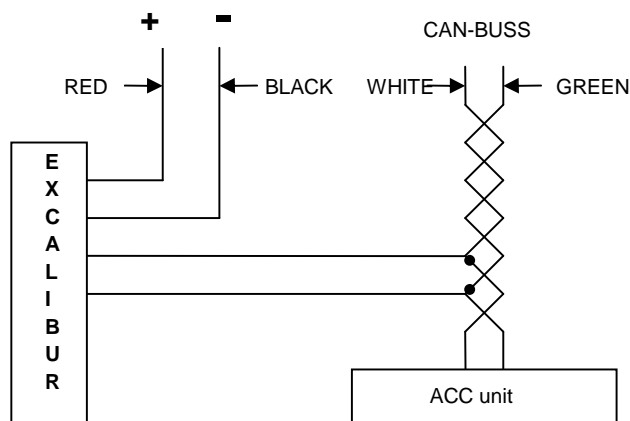
Step 4: Now you are going to connect power to the unit. Power is taken from the connectors to the cigarette lighter. Pull out the connector to the cigarette lighter, and push on the branch terminals which is delivered with the package. You might need to add some extra insulation like some electro tape, see pictures below.

- Red wire on Excalibur is + and connects to violet cable on the cigarette lighter.
- Black wire on Excalibur is – and connects to black cable on the cigarette lighter.

Push the connector back on the cigarette lighter. This might be hard and difficult, but use a good flashlight a small amount of patience.



Step 5: Just behind the ACC-unit you will find a suitable place for the Excalibur unit. You might want to add some upholstery to avoid any "rackle". Take care to avoid any damage to the cabling. Push the ACC-unit back in.



Producer:

R Connection Engineering
Knarrhögsgatan 6B
S-43160 Mölndal
Sweden

rubenson.johan@rcengineering.se

Phone: +46 (0)709 99 87 25

Distributor:

Display Spesialisten Ltd
Manglerudveien 2
N-0678 Oslo
Norway

post@display-spesialisten.no

<http://www.display-spesialisten.no>

Phone: (+47) 92 82 99 30

Latest version of this document is available on <http://www.display-spesialisten.no>